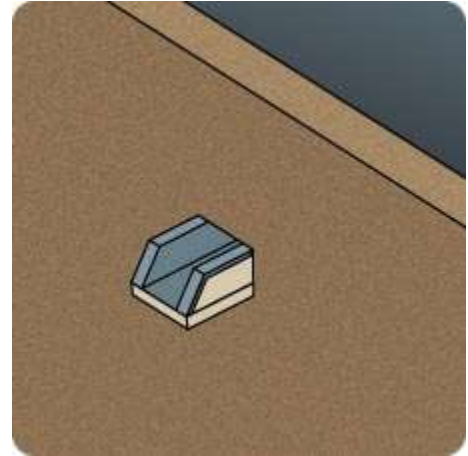
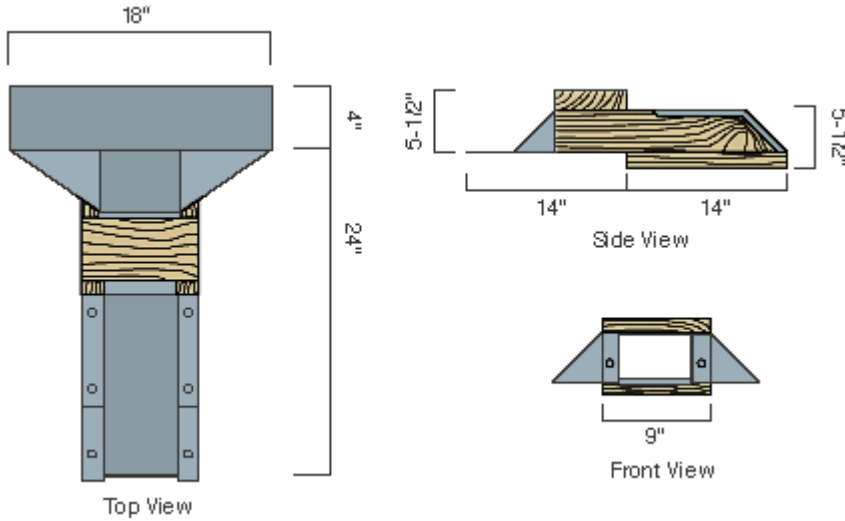


TERRITORIAL STYLE CANALES

The parapet is the section of wall that extends above the roof. The Territorial Canales are usually used when the parapet wall continues along the roof in a straight line, as shown below:



SANTA FE STYLE CANALES

The parapet is the section of wall that extends above the roof. The Santa Fe style is used when the parapet wall dips down to the canales, as shown below:

